


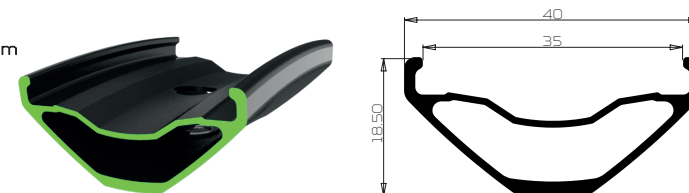
ROUES HOPE FORTUS 35 MOYEUX PRO4 RAYONS STANDARD

PRO4
 MOYEUX STANDARD PRO4 RAYONS COUDÉS

| | Références | Descriptions | Prix Publics (€) | Poids (g) | Rayons G/D (mm) | |
|-------|--------------------|------------------------|--|-----------|-----------------|-----------|
| 27.5" | HFW27F35P4STN | Roue Avant FORTUS 35 | Moyeu Pro4 32T NOIR | 210,00 | 983 | 273 / 275 |
| | HFW27F35P4STN11 | | Moyeu Pro4 110x15mm BOOST 32T NOIR | 210,00 | 996 | 273 / 275 |
| | HRW27F35P4STN5A | Roue Arrière FORTUS 35 | Moyeu Pro4 135mm 32T NOIR | 340,00 | 1108 | 275 / 273 |
| | HRW27F35P4STN148SA | | Moyeu Pro4 148x12mm BOOST 32T NOIR | 340,00 | 1111 | 275 / 273 |
| | HRW27F35P4STN150SA | | Moyeu Pro4 150x12mm 32T NOIR | 355,00 | 1120 | 273 / 273 |
| | HRW27F35P4STNZS | | Moyeu Pro4 Trail/Single-Speed 32T NOIR | 355,00 | 1261 | 275 / 273 |
| 29" | HFW29F35P4STN | Roue Avant FORTUS 35 | Moyeu Pro4 32T NOIR | 210,00 | 1032 | 292 / 294 |
| | HFW29F35P4STN11 | | Moyeu Pro4 110x15mm BOOST 32T NOIR | 210,00 | 1045 | 292 / 294 |
| | HRW29F35P4STN5A | Roue Arrière FORTUS 35 | Moyeu Pro4 135mm 32T NOIR | 340,00 | 1162 | 294 / 292 |
| | HRW29F35P4STN148SA | | Moyeu Pro4 148x12mm BOOST 32T NOIR | 355,00 | 1160 | 294 / 292 |
| | HRW29F35P4STN150SA | | Moyeu Pro4 150x12mm 32T NOIR | 355,00 | 1169 | 292 / 292 |
| | HRW29F35P4STNZS | | Moyeu Pro4 Trail/Single-Speed 32T NOIR | 355,00 | 1310 | 293 / 293 |

-  Les roues FORTUS 35 Avant sont livrées avec les coupelles 15mm
- Les roues FORTUS 35 Arrière avec moyeu 135mm sont livrées avec les coupelles QR 9mm & 12x142mm
- Les roues FORTUS 35 Arrière avec moyeu 150mm sont livrées avec les coupelles 12x150mm & 12x157mm
- Les roues FORTUS 35 Arrière avec moyeu Trial/Single-Speed sont livrées en serrage boulons de 10mm

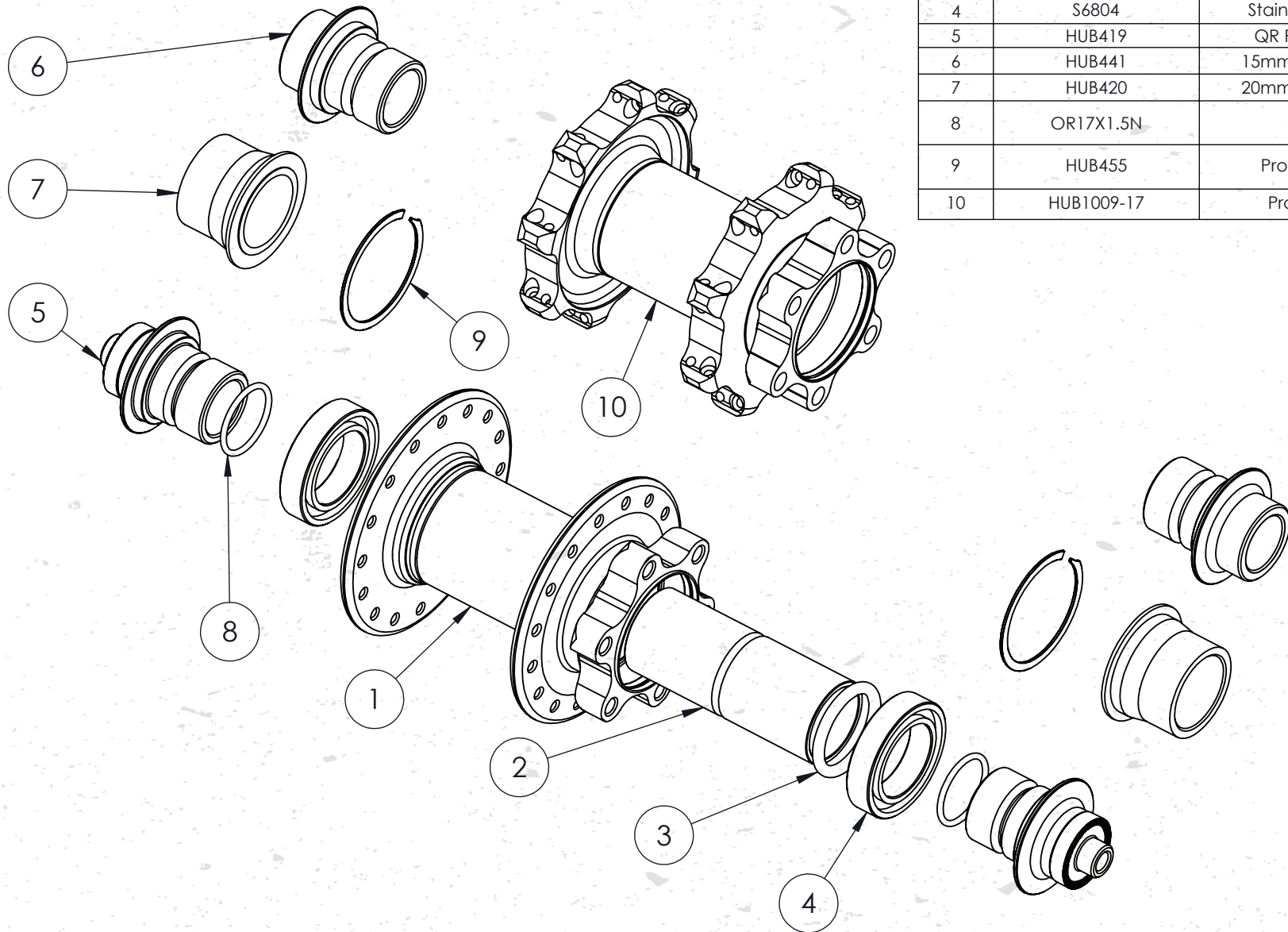
 Tous les moyeux sont disponibles en 6 couleurs d'anodisation: bleu, orange, noir, violet, rouge & argent



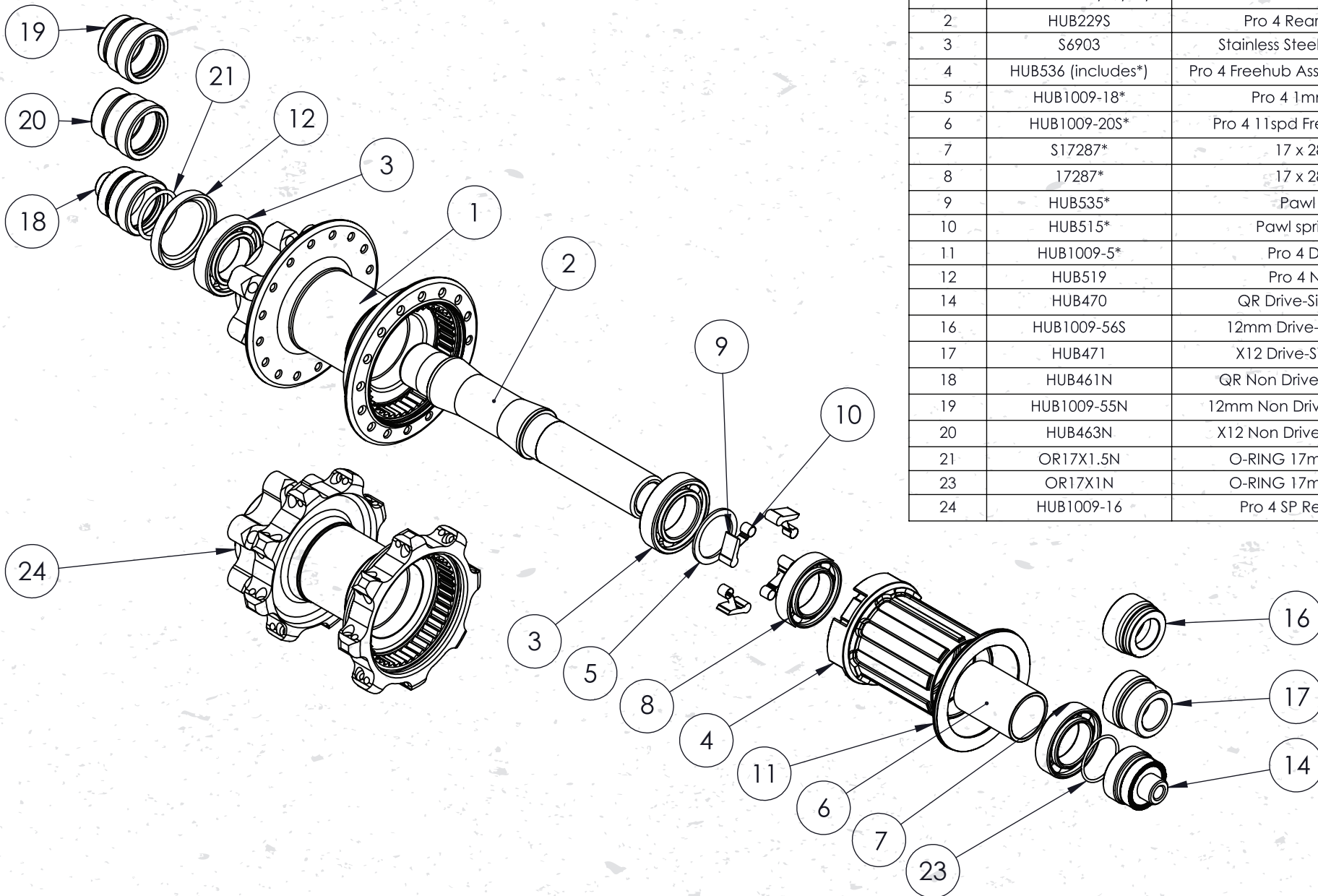
JANTES HOPE FORTUS 35

| | Références | Descriptions | Prix Publics (€) | Poids (g) | ERD (mm) | | | |
|--------|------------|--------------|------------------|-----------|----------|--------|-----|-----|
| JANTES | 27.5" | WHSP058 | Jante FORTUS 35 | 27.5" 32T | NOIRE | 125,00 | 575 | 567 |
| | 29" | WHSP061 | Jante FORTUS 35 | 29" 32T | NOIRE | 125,00 | 610 | 605 |

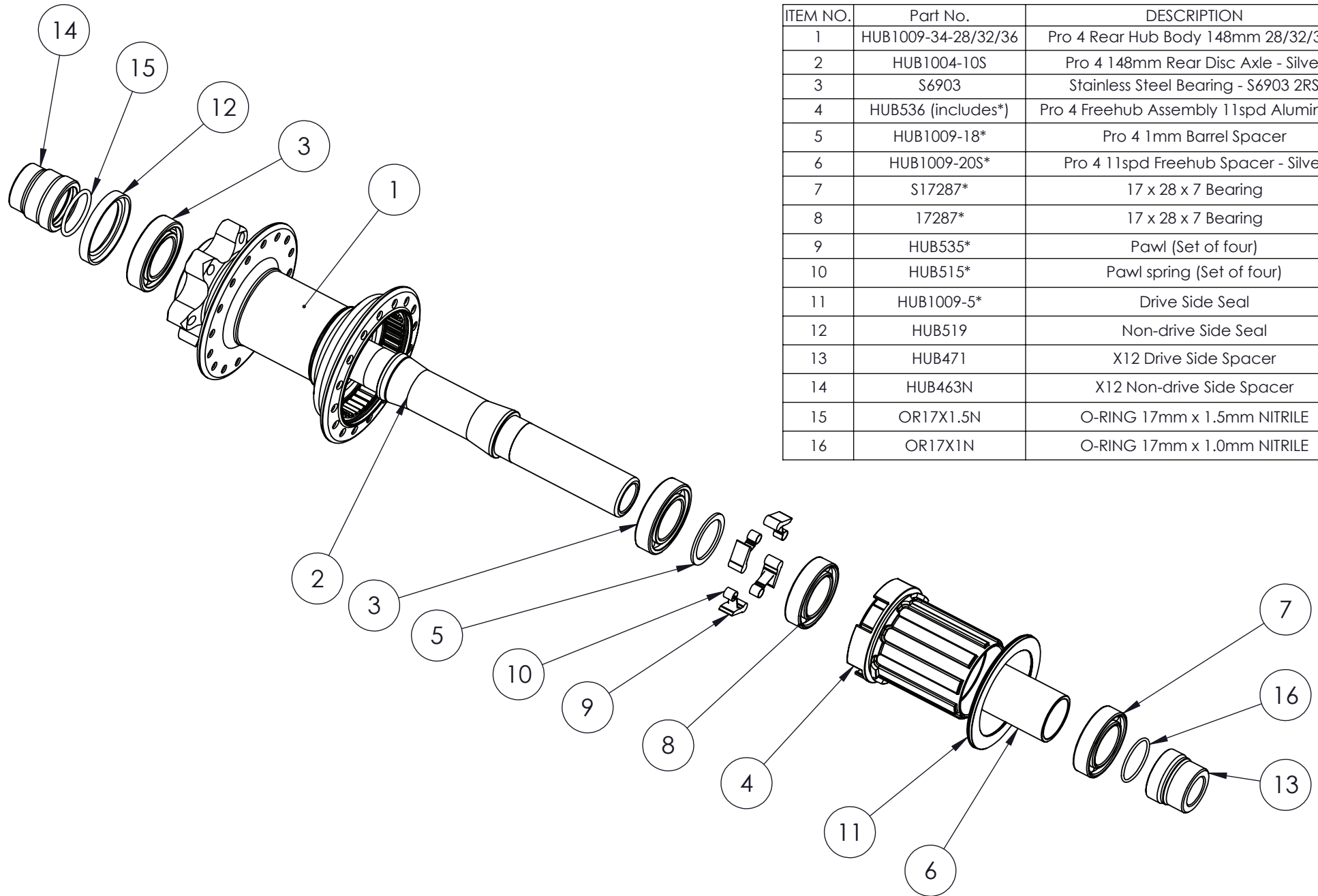
 Largeur de pneus recommandée: entre 2.5" et 3.0" | Pression maximale recommandée: 60 Psi / 4.1 Bar



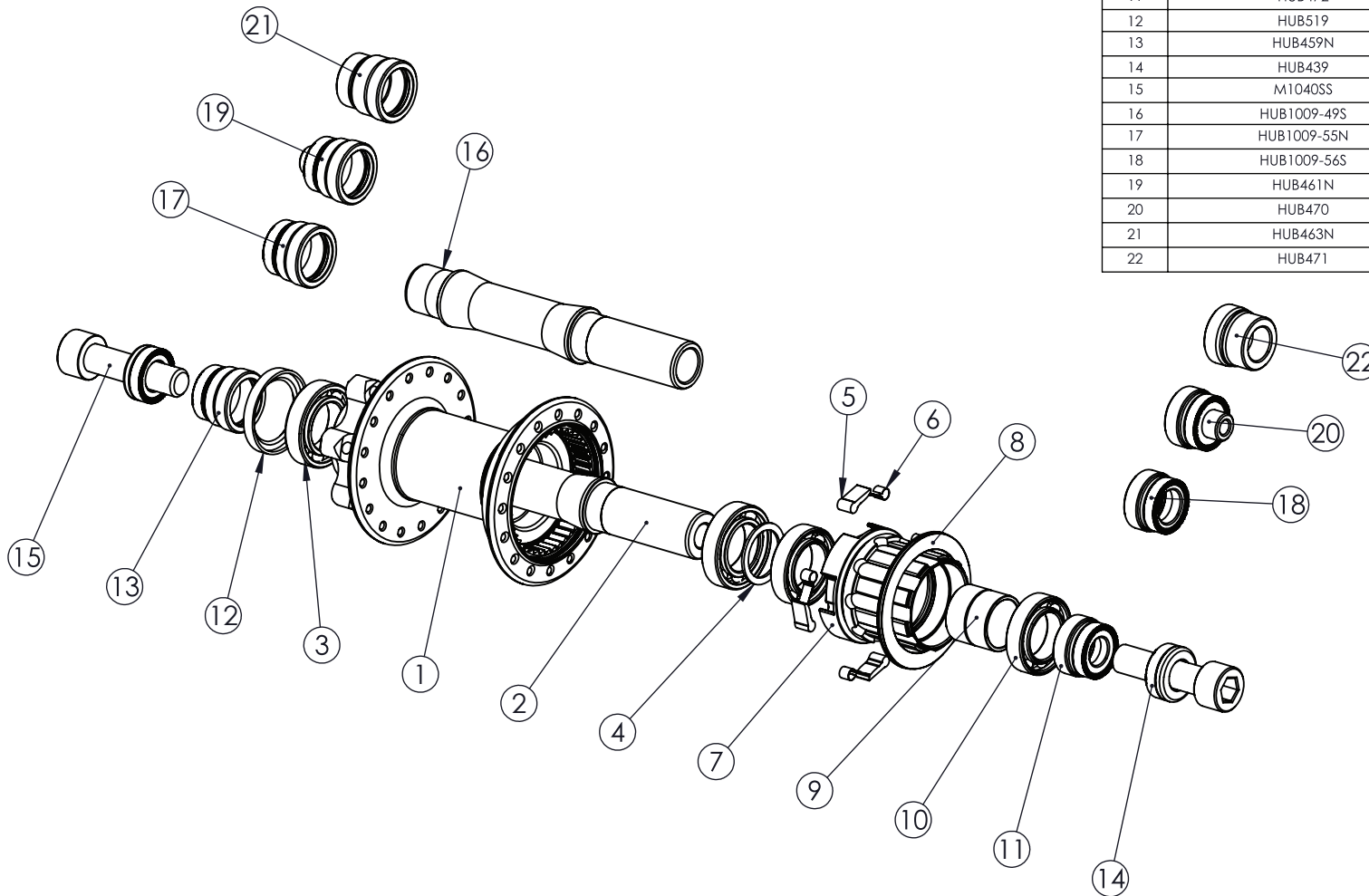
| ITEM No. | PART No. | DESCRIPTION | QTY. |
|----------|------------------------|--|-------------------------|
| 1 | HUB1009-22-24/28/32/36 | Pro 4 Front Hub Body 24/28/32/36H | 1 |
| 2 | HUB214S | Pro 2/EVO Front Bearing spacer Tube - Silver | 1 |
| 3 | OR20X3N | O-RING 20mm x 3mm | 1 |
| 4 | S6804 | Stainless Steel Bearing - S6804 2RS | 2 |
| 5 | HUB419 | QR Pro 4/EVO Front Conversion | 1 |
| 6 | HUB441 | 15mm Pro 4/EVO Front Conversion | 1 |
| 7 | HUB420 | 20mm Pro 4/EVO Front Conversion | 1 |
| 8 | OR17X1.5N | O-RING 17mm x 1.5mm | inc. with HUB419/HUB441 |
| 9 | HUB455 | Pro2/Evo Front Circlip (20mm) | inc. with HUB420 |
| 10 | HUB1009-17 | Pro 4 SP Front Hub Body 32H | 1 |



| ITEM No. | PART No. | DESCRIPTION | QTY. |
|----------|------------------------|--|------|
| 1 | HUB1009-15-24/28/32/36 | Pro 4 Rear Hub Body 135 24/28/32/36H | 1 |
| 2 | HUB229S | Pro 4 Rear Disc Axle - Silver | 1 |
| 3 | S6903 | Stainless Steel Bearing - S6903 2RS | 2 |
| 4 | HUB536 (includes*) | Pro 4 Freehub Assembly 11spd Aluminium | 1 |
| 5 | HUB1009-18* | Pro 4 1mm Barrel Spacer | 1 |
| 6 | HUB1009-20S* | Pro 4 11spd Freehub Spacer - Silver | 1 |
| 7 | S17287* | 17 x 28 x 7 Bearing | 1 |
| 8 | 17287* | 17 x 28 x 7 Bearing | 1 |
| 9 | HUB535* | Pawl (set of four) | 1 |
| 10 | HUB515* | Pawl spring (set of four) | 1 |
| 11 | HUB1009-5* | Pro 4 Drive Side Seal | 1 |
| 12 | HUB519 | Pro 4 Non-drive seal | 1 |
| 14 | HUB470 | QR Drive-Side Spacer - Silver | 1 |
| 16 | HUB1009-56S | 12mm Drive-Side Spacer - Silver | 1 |
| 17 | HUB471 | X12 Drive-Side Spacer - Silver | 1 |
| 18 | HUB461N | QR Non Drive Side Spacer - Black | 1 |
| 19 | HUB1009-55N | 12mm Non Drive Side Spacer - Black | 1 |
| 20 | HUB463N | X12 Non Drive Side Spacer - Black | 1 |
| 21 | OR17X1.5N | O-RING 17mm x 1.5mm NITRILE | 1 |
| 23 | OR17X1N | O-RING 17mm x 1.5mm NITRILE | 1 |
| 24 | HUB1009-16 | Pro 4 SP Rear Hub Body 32H | 1 |



| ITEM NO. | Part No. | DESCRIPTION | QTY. |
|----------|---------------------|--|------|
| 1 | HUB1009-34-28/32/36 | Pro 4 Rear Hub Body 148mm 28/32/36H | 1 |
| 2 | HUB1004-10S | Pro 4 148mm Rear Disc Axle - Silver | 1 |
| 3 | S6903 | Stainless Steel Bearing - S6903 2RS | 2 |
| 4 | HUB536 (includes*) | Pro 4 Freehub Assembly 11spd Aluminium | 1 |
| 5 | HUB1009-18* | Pro 4 1mm Barrel Spacer | 1 |
| 6 | HUB1009-20S* | Pro 4 11spd Freehub Spacer - Silver | 1 |
| 7 | S17287* | 17 x 28 x 7 Bearing | 1 |
| 8 | 17287* | 17 x 28 x 7 Bearing | 1 |
| 9 | HUB535* | Pawl (Set of four) | 1 |
| 10 | HUB515* | Pawl spring (Set of four) | 1 |
| 11 | HUB1009-5* | Drive Side Seal | 1 |
| 12 | HUB519 | Non-drive Side Seal | 1 |
| 13 | HUB471 | X12 Drive Side Spacer | 1 |
| 14 | HUB463N | X12 Non-drive Side Spacer | 1 |
| 15 | OR17X1.5N | O-RING 17mm x 1.5mm NITRILE | 1 |
| 16 | OR17X1N | O-RING 17mm x 1.0mm NITRILE | 1 |



| ITEM No. | PART No. | DESCRIPTION | QTY. |
|----------|------------------|--|------|
| 1 | HUB1009-37-32/36 | Pro 4 Rear Hub Body Trial/SS 32H | 1 |
| 2 | HUB1009-50S | Pro 4 Trial/SS Axle Bolt In - Silver | 1 |
| 3 | S6903 | Stainless Steel Bearing - S6903 2RS | 2 |
| 4 | HUB1009-18 | Barrel Spacer 1mm | 1 |
| 5 | HUB535 | Pawl (set of four) | 1 |
| 6 | HUB515 | Pawl spring (set of four) | 1 |
| 7 | HUB1009-36 | Pro 4 Freehub Trial/SS Steel | 1 |
| 8 | HUB1009-5 | Pro 4 Drive Side Seal | 1 |
| 9 | HUB1009-48S | Pro 4 Trial/SS Freehub Spacer - Silver | 1 |
| 10 | S17287 | 17 x 28 x 7 Bearing | 2 |
| 11 | HUB472 | 10mm Drive-Side Spacer - Silver | 1 |
| 12 | HUB519 | Pro 4 Non-drive Side Seal | 1 |
| 13 | HUB459N | 10mm Non-drive Spacer - Black | 1 |
| 14 | HUB439 | M10 Serrated Washer | 2 |
| 15 | M1040SS | M10 x 40 Cap Head Screw | 2 |
| 16 | HUB1009-49S | Pro 4 Trial/SS Axle 12mm - Silver | 1 |
| 17 | HUB1009-55N | 12mm Non Drive Side Spacer - Black | 1 |
| 18 | HUB1009-56S | 12mm Drive-side Spacer - Silver | 1 |
| 19 | HUB461N | QR Non-drive Side Spacer - Black | 1 |
| 20 | HUB470 | QR Drive Side Spacer - Silver | 1 |
| 21 | HUB463N | X12 Non-drive Side Spacer - Black | 1 |
| 22 | HUB471 | X12 Drive-side Spacer - Silver | 1 |



Kits de conversion moyeux PRO 4

| Moyeux AVANT | Entraxes | Descriptions | Références |
|--------------|-------------|---|-------------|
| PRO 4 | 100mm | 9X100mm QR (blocage rapide) | HUB419 |
| | | 9X100mm traversant | HUB443 |
| | | 12X100mm traversant | HUB482 |
| | | 15X100mm traversant | HUB441 |
| | | 15X110mm traversant (convertit un moyeu standard 100mm) | HUB1009-14N |
| | | 20X110mm traversant (convertit un moyeu standard 100mm) | HUB420 |
| | 110mm BOOST | 15X100mm traversant SRAM Torque O/S | HUB485 |
| | | 15X110mm traversant SRAM Torque O/S (convertit un moyeu standard 100mm) | HUB486 |
| | | 9X110mm QR (blocage rapide) | HUB419 |
| | | 15X110mm traversant BOOST | HUB441 |
| PRO 4 FATSNO | 135mm FDS | 15X110mm traversant BOOST SRAM Torque O/S | HUB485 |
| | | 20X110mm traversant BOOST | HUB494 |
| | | 9X135mm QR (blocage rapide) | HUB475 |
| | | 15X135mm traversant | HUB474 |
| | | 15X142mm traversant (convertit un moyeu 135mm FDS) | HUB476 |
| | | 15X150mm traversant (convertit un moyeu 135mm FDS) | HUB480 |

| Moyeux ARRIÈRE | Entraxes | Descriptions | Références |
|--------------------------|-------------------|---|------------|
| PRO 4 | 135mm | 9X135mm QR (blocage rapide) | HUB238 |
| | | 10X135mm traversant | HUB239 |
| | | 10X135mm serrage boulons 10mm (Axe + Coupelles + Boulons) | HUB240 |
| | | 12X135mm traversant | HUB241 |
| | | 12X142mm traversant (convertit un moyeu 135mm) | HUB242 |
| | | 12X148mm traversant (convertit un moyeu 135mm) | HUB493 |
| | 148mm BOOST | 9X141mm QR (blocage rapide) | HUB238 |
| | | 12X148mm traversant BOOST (convertit un moyeu 148mm) | HUB242 |
| | 150mm | 12X150mm traversant | HUB241 |
| | | 12X157mm traversant (convertit un moyeu 150mm) | HUB242 |
| PRO 4 SB | 157mm Super BOOST | 12X157mm traversant Super BOOST | HUB242 |
| PRO 4 DH 7Vitesses | 135mm DH | 12X135mm traversant | HUB241 |
| | | 12X142mm traversant (convertit un moyeu 135mm) | HUB242 |
| | 150mm DH | 12X150mm traversant | HUB241 |
| PRO 4 FATSNO | 170mm | 12X157mm traversant (convertit un moyeu 150mm) | HUB242 |
| | | 9X170mm QR (blocage rapide) | HUB238 |
| | 190mm | 12X177mm traversant (convertit un moyeu 170mm) | HUB242 |
| | | 9X190mm QR (blocage rapide) | HUB238 |
| PRO 4 Trial/Single-Speed | 135mm TRIAL/SS | 12X197mm traversant (convertit un moyeu 190mm) | HUB242 |
| | | 9X135mm QR (blocage rapide) | HUB238 |
| | | 12X135mm traversant | HUB241 |
| | | 12X142mm traversant (convertit un moyeu 135mm) | HUB242 |